

WIZ550S2E Datasheet

WIZ550S2E RS232, RS422/485

-
- AC/DC
-
- Dimension

가 .

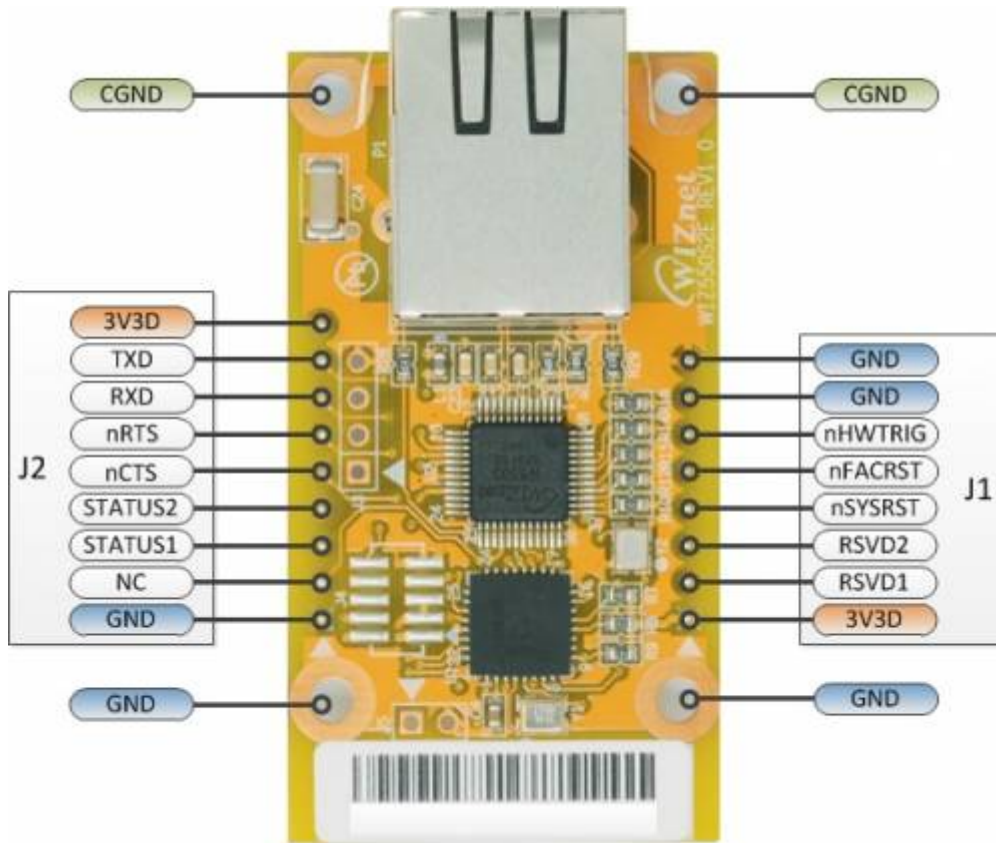
가 .

2014/07/29 07:56 · [jameskim](#)

Hardware Specification

WIZ550S2E

- MCU LPC11E36FHN33
- TCP/IP Controller W5500
- RJ45(Integrated Transformer)
- 2.54mm Header x2



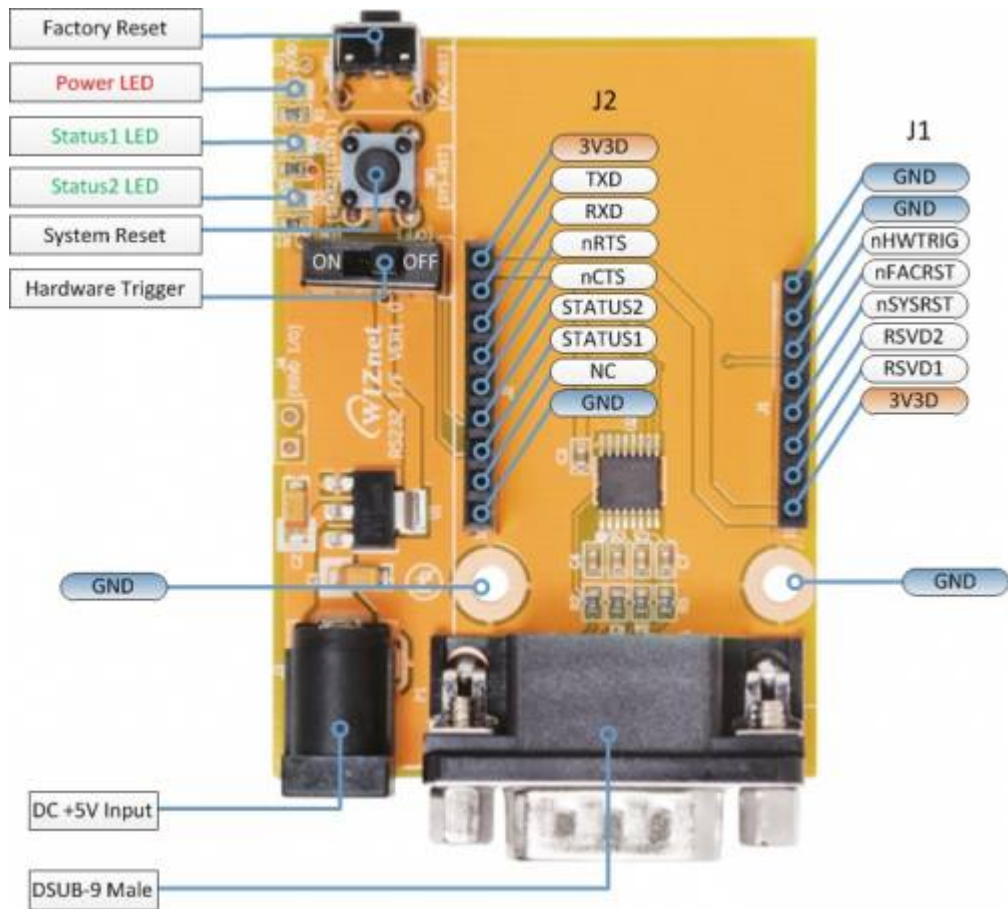
Pin Description

Ref No.	Pin No.	Symbol	Type	Description
J1	1	3V3D	P	DC +3.3V
	2	RSVD1	I/O	I/O
	3	RSVD2	I/O	I/O
	4	nSYSRST	I	. Active Low.
	5	nFACRST	I	. Active Low.
	6	nHWTRIG	I	. Active Low.
	7	GND	P	Ground
	8	GND	P	Ground

Ref No.	Pin No.	Symbol	Type	Description
J2	1	GND	P	Ground
	2	NC	-	
	3	STATUS1	O	LED , 가 1 LED ON/OFF
	4	STATUS2	O	LED , TCP (Disconnected-High, Connected-Low)
	5	nCTS	I	UART CTS(Clear To Send)
	6	nRTS	O	UART RTS(Request To Send) . RS485
	7	RXD	I	UART
	8	TXD	O	UART
	9	3V3D	P	DC+3.3V

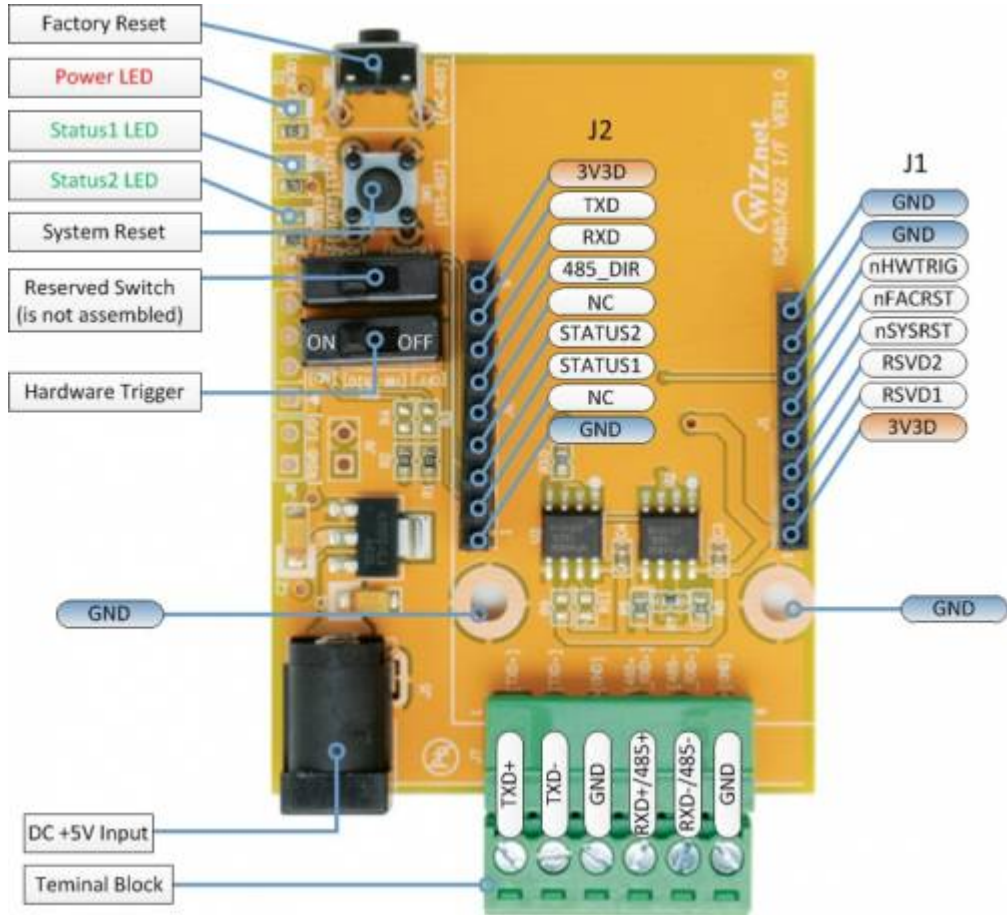
WIZ550S2E-232

- SP3232EBEY
-
-
-
- LED
- DC (+5V)



WIZ550S2E-485/422

- SP3485EN
-
-
-
- LED
- DC (+5V)



2014/07/29 08:07 · [jameskim](#)

Characteristic

WIZ550S2E

	DC +3.3V
	140mA(Typ.)
	-40 ~ 85 °C

WIZ550S2E-232-EVB

	DC +5V (: 5.5Pi - 2.1Pi)
(WIZ550S2E)	154mA(Max.)
	-40 ~ 85 °C

WIZ550S2E-485/422-EVB

	DC +5V (: 5.5Pi - 2.1Pi)
(WIZ550S2E)	179mA(Max.)@RS422Mode, 157mA(Max.)@RS485Mode
	-40 ~ 85 °C

2014/07/29 08:26 · [jameskim](#)

Schematic

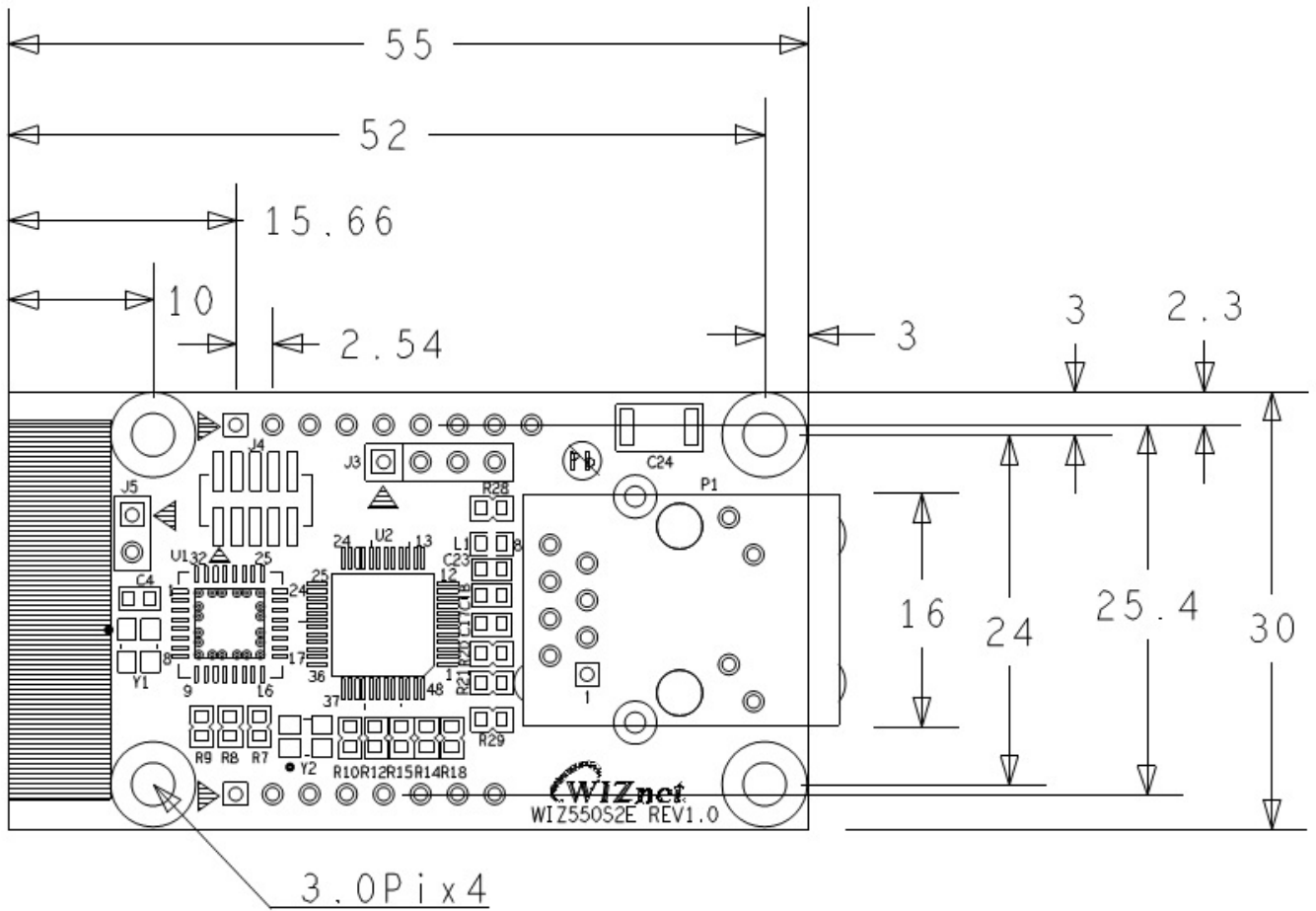
	Version	Schematic
WIZ550S2E	1.0	wiz550s2e_v1_0.pdf
WIZ550S2E-232	1.0	rs232if_v1_0.pdf
WIZ550S2E-485/422	1.0	rs485-422if_v1_0.pdf

2014/07/29 08:28 · [jameskim](#)

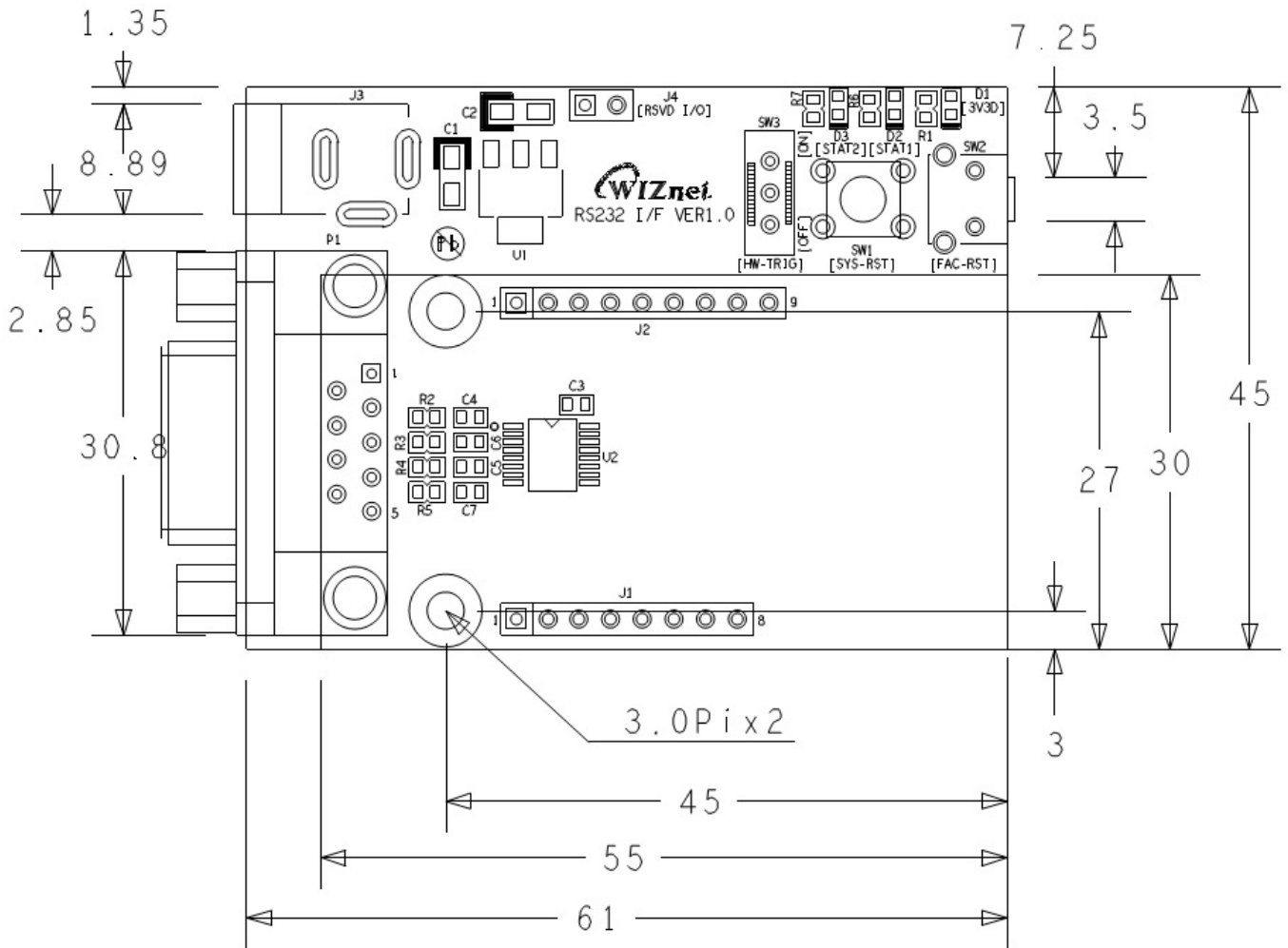
Dimension

(Unit: mm)

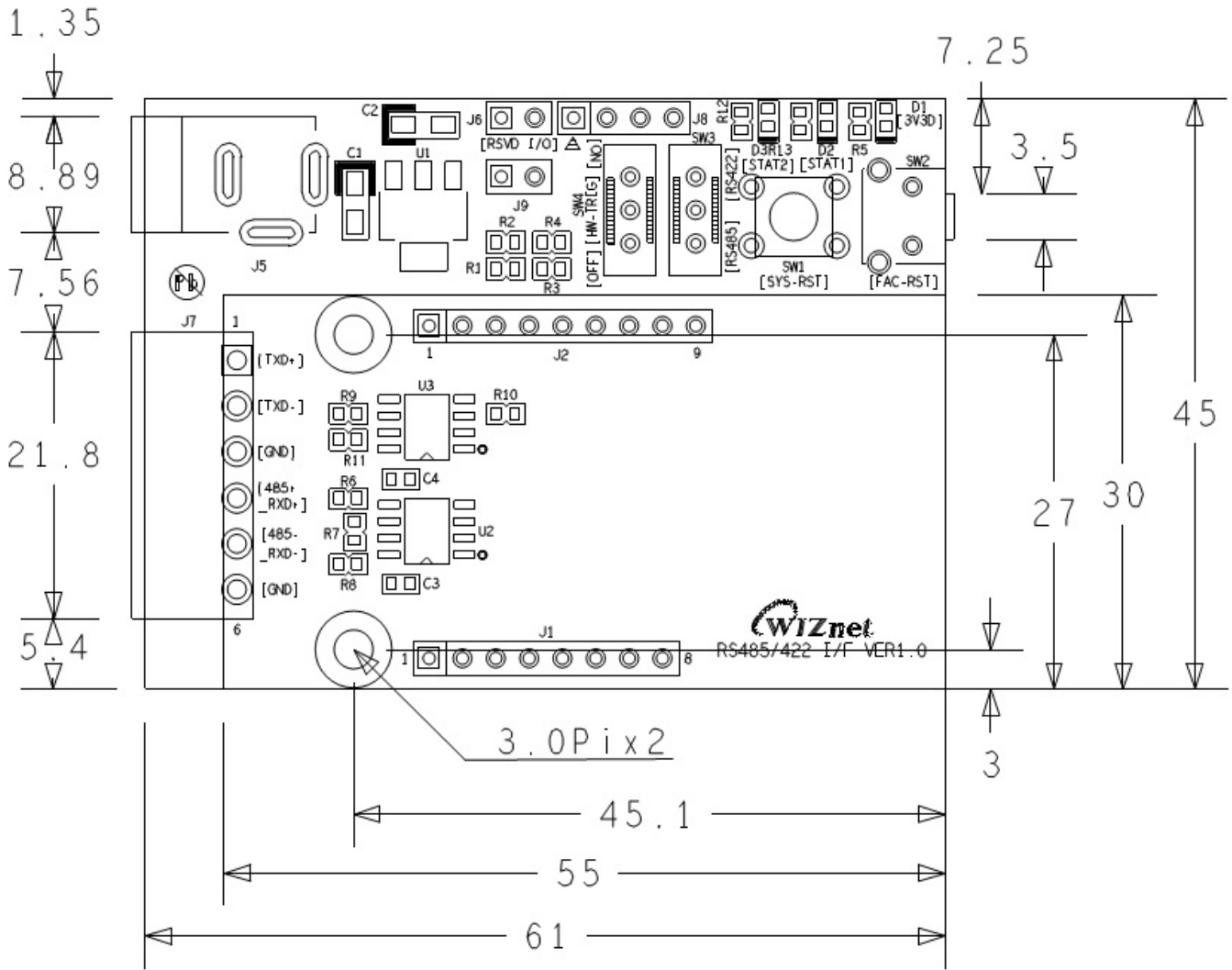
WIZ550S2E



WIZ550S2E-232



WIZ550S2E-485/422



2014/07/29 08:29 · jameskim

From:
<http://wizwiki.net/wiki/> -

Permanent link:
http://wizwiki.net/wiki/doku.php?id=products:wiz550s2e:wiz550s2eds_kr

Last update: **2014/07/29 08:37**